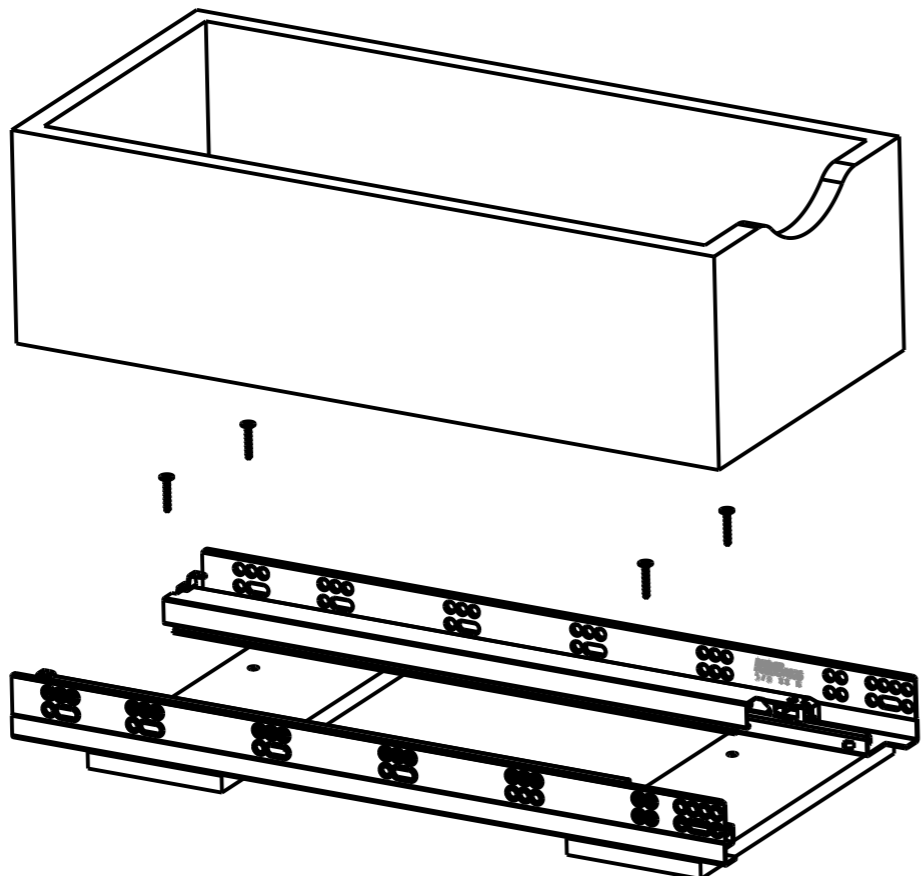
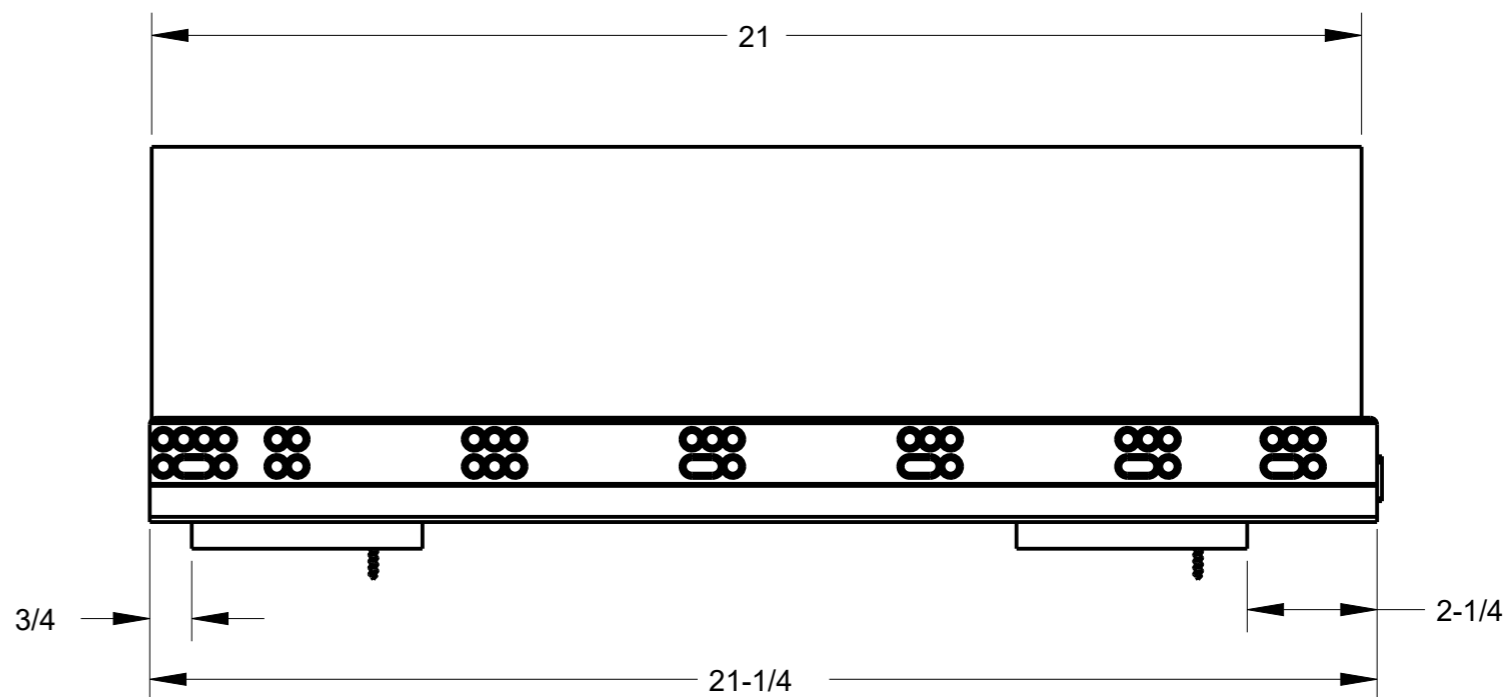
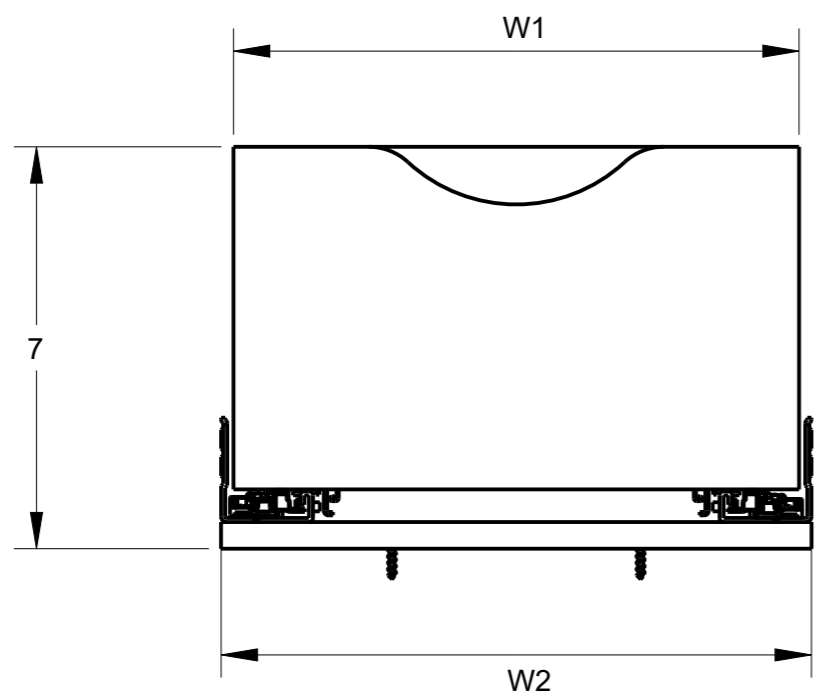


8 7 6 5 4 3 2 1

F E D C B A



HR ITEM NUMBER	PRODUCT DESCRIPTION	MINIMUM OPENING	W1	W2
RO12-WB	ROLLOUT, 15in BASE CABINET	11-1/2	9-13/16	10-1/4
RO15-WB	ROLLOUT, 18in BASE CABINET	14-1/2	12-13/16	13-1/4
RO18-WB	ROLLOUT, 21in BASE CABINET	17-1/2	15-13/16	16-1/4
RO21-WB	ROLLOUT, 24in BASE CABINET	20-1/2	18-13/16	19-1/4
RO24-WB	ROLLOUT, 27in BASE CABINET	23-1/2	21-13/16	22-1/16
RO27-WB	ROLLOUT, 30in BASE CABINET	26-1/2	24-13/16	25-1/16
RO33-WB	ROLLOUT, 36in BASE CABINET	32-1/2	30-13/16	31-1/16



HARDWARE RESOURCES RESERVES THE RIGHT TO CHANGE SPECIFICATIONS WITHOUT NOTICE. IN CASE OF A DISCREPANCY, ACTUAL PART GEOMETRY SUPERSEDES THIS DOCUMENT.

THE INFORMATION CONTAINED WITHIN THIS DRAWING IS THE SOLE PROPERTY OF HARDWARE RESOURCES INC. ANY REPRODUCTION IN PART OR WHOLE WITHOUT WRITTEN PERMISSION OF HARDWARE RESOURCES INC. IS PROHIBITED.

DOCUMENT STATUS Released	
UNLESS OTHERWISE SPECIFIED DIMENSIONS ARE IN INCHES (IN)	
MATERIAL N/A	FINISH N/A
THIRD ANGLE PROJECTION 	DATE 08MAR2024

DESCRIPTION ROLLOUT, BASE CABINET		
DRAWING NUMBER RO		REV A
SIZE A3	SCALE 0.300	SHEET 1 / 1

8 7 6 5 4 3 2 1

A

A