

HR ITEM NUMBER	DESCRIPTION
SWS-PO2IPC	SWS POT PAN ORGANIZER, POLISHED CHROME
SWS-PO2IBN	SWS POT PAN ORGANIZER, TITANIUM

THIRD ANGLE PROJECTION				
MATERIAL	FINISH			
N/A	SEE TABLE	DESCRIPTION		
DRAWN BY D.MCGREGOR		DATE 03JAN18		SWS POT PAN ORGANIZER
DESIGNED BY J.CORLESS		DATE 28AUG17		
APPROVED BY G.DAVIS		DATE 01JAN18		DRAWING NUMBER SWS-PO21
SIZE A3	SCALE 0.250	SHEET 1 / 2		REV A

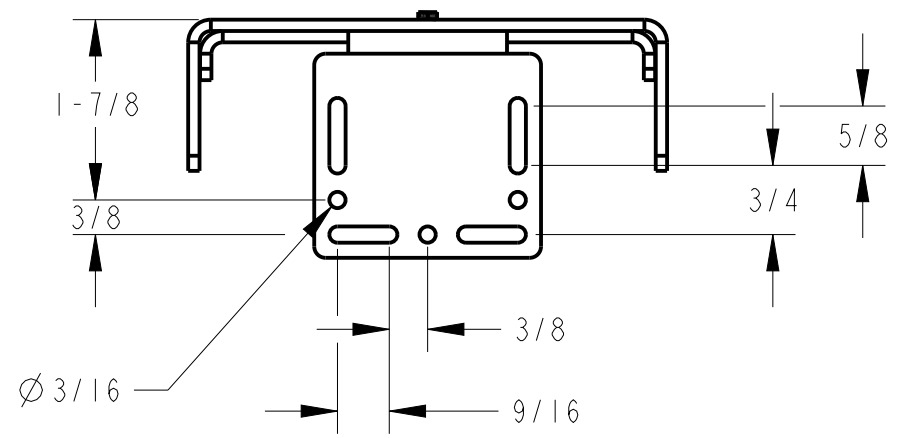
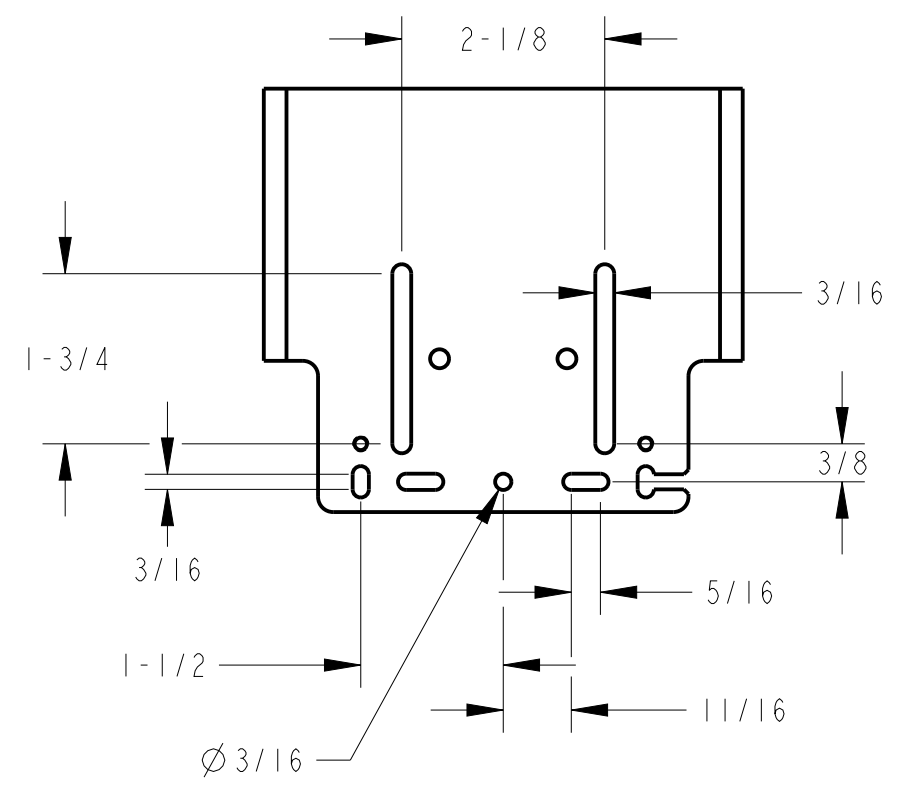
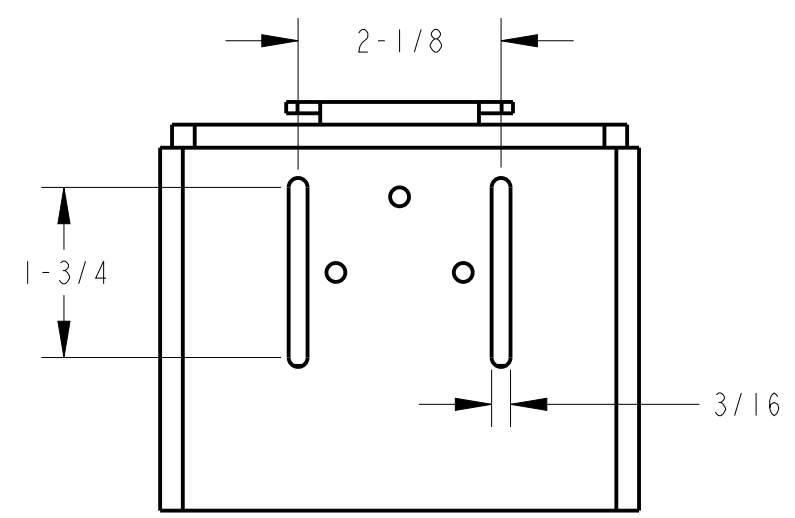
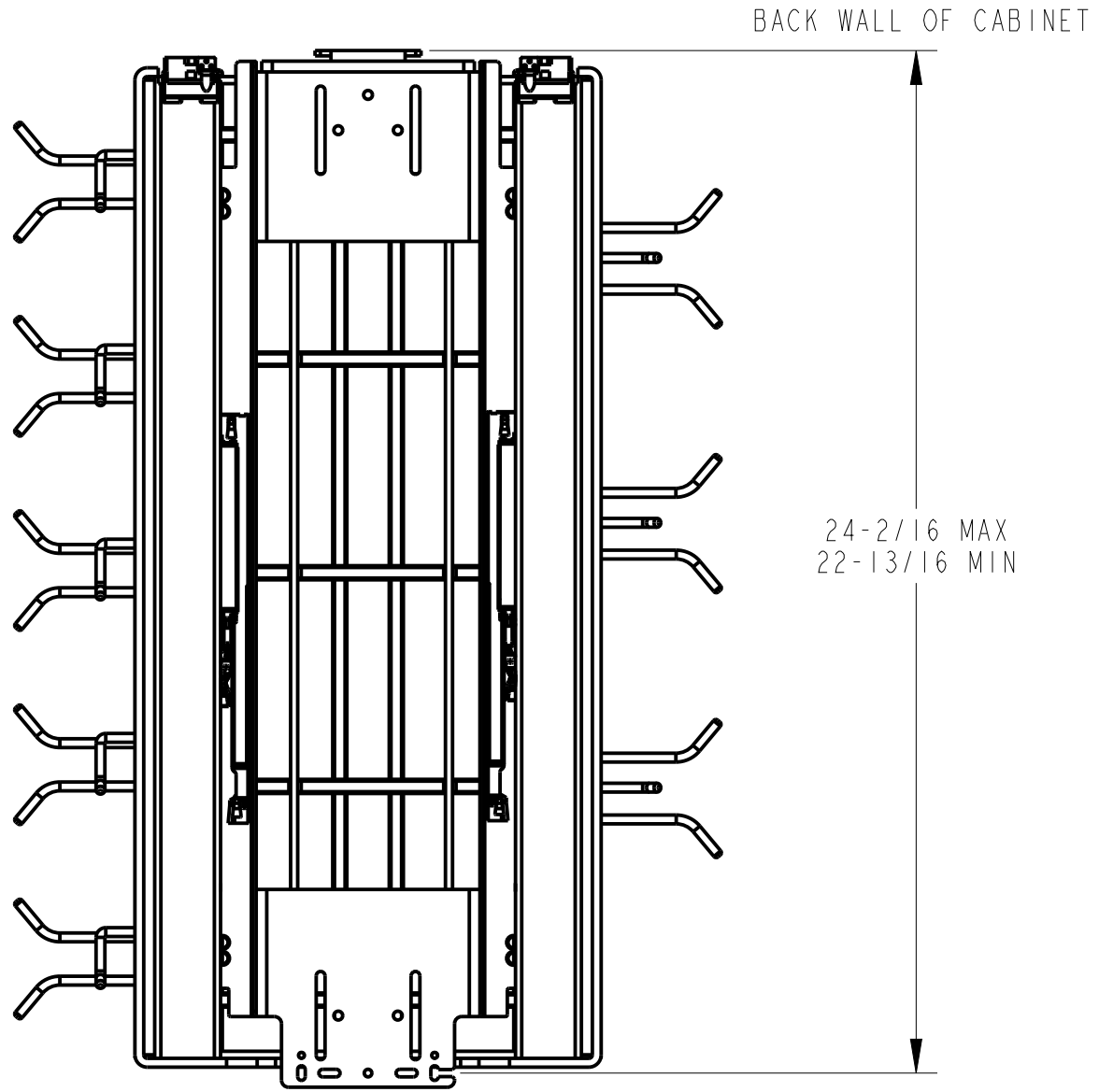
DOCUMENT STATUS Released

HARDWARE RESOURCES RESERVES THE RIGHT TO CHANGE SPECIFICATIONS WITHOUT NOTICE.
IN CASE OF A DISCREPANCY, ACTUAL PART GEOMETRY SUPERSEDES THIS DOCUMENT.

THE INFORMATION CONTAINED WITHIN THIS DRAWING IS THE SOLE PROPERTY OF HARDWARE RESOURCES INC. ANY REPRODUCTION IN PART OR WHOLE WITHOUT WRITTEN PERMISSION OF HARDWARE RESOURCES INC. IS PROHIBITED.

8 7 6 5 4 3 2 1

F
E
D
C
B
A



DRAWING NUMBER		REV
SWS-PO21		A
SIZE	SCALE	SHEET
A3	0.500	2 / 2
DOCUMENT STATUS		Released

8 7 6 5 4 3 2 1